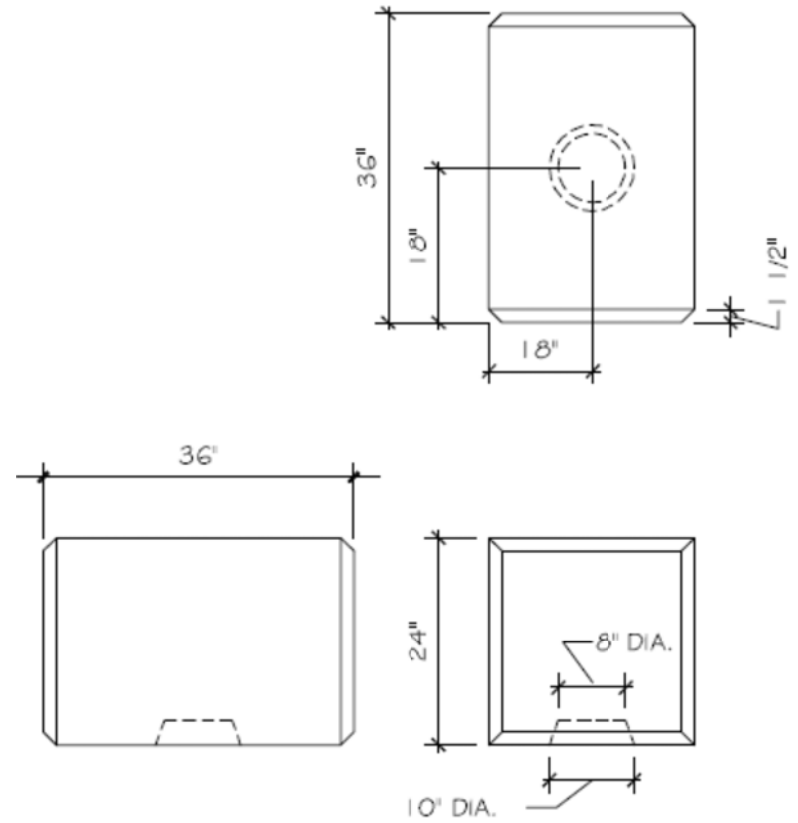


JUMBO HALF BLOCK



JUMBO HALF FLAT TOP BLOCK

## JUMBO HALF BLOCK WITH BEVELED EDGES

SCALE: 1/2"=1'-0"



701 Waverly Street, Framingham, MA 01702

(888) 266- 4425, fax 508-653-6672

[sales@conigliaroblock.com](mailto:sales@conigliaroblock.com) [www.conigliaroblock.com](http://www.conigliaroblock.com)