

Segmental Wall Blocks

Fast, simple installation - 25 blocks per hour with 2 man crew!

Minimum Site Preparation

Available Finishes: Smooth, Rough Stone, Cut Stone, Natural Stone Veneer

True-to-Size, (2' x 2' x 4'), other sizes available

Strong, interlocking system, nestable, self-centering and self-leveling

Our Segmental Wall Blocks are great for:

- Retaining Walls
- Raised Septic Systems
- Raised Roadways
- Wetland Crossings
- Highway Ramps
- Instant Building Foundations
- Material Bins
- And more...

Half size, Flat-top and Curved Blocks available

Small or Large jobs - We will meet your schedule!

Conigliaro Block can turn-key your project, including complete engineering, design and installation services

Available in Plas-Crete, as well as, 2000, 3000, 4000 or 5000 psi concrete

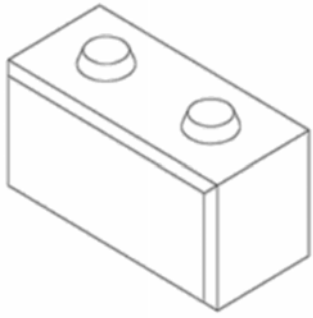
For more information, or for a free price quotation, please call our sales department:



701 Waverly Street, Framingham, MA 01702

(888) CONIG - 25, fax (508) 653-6672

www.conigliaroblock.com , sales@conigliaroblock.com



Segmental Wall Blocks

Fast, simple installation - 25 blocks per hour with 2 man crew!

Minimum Site Preparation

Available Finishes: Smooth, Rough Stone, Cut Stone, Natural Stone Veneer

True-to-Size, (2' x 2' x 4'), other sizes available

Strong, interlocking system, nestable, self-centering and self-leveling

Our Segmental Wall Blocks are great for:

- Retaining Walls
- Raised Septic Systems
- Raised Roadways
- Wetland Crossings
- Highway Ramps
- Instant Building Foundations
- Material Bins
- And more...

Half size, Flat-top and Curved Blocks available

Small or Large jobs - We will meet your schedule!

Conigliaro Block can turn-key your project, including complete engineering, design and installation services

Available in Plas-Crete, as well as, 2000, 3000, 4000 or 5000 psi concrete

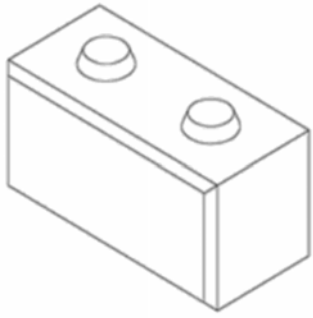
For more information, or for a free price quotation, please call our sales department:



701 Waverly Street, Framingham, MA 01702

(888) CONIG - 25, fax (508) 653-6672

www.conigliaroblock.com , sales@conigliaroblock.com



Segmental Wall Blocks

Fast, simple installation - 25 blocks per hour with 2 man crew!

Minimum Site Preparation

Available Finishes: Smooth, Rough Stone, Cut Stone, Natural Stone Veneer

True-to-Size, (2' x 2' x 4'), other sizes available

Strong, interlocking system, nestable, self-centering and self-leveling

Our Segmental Wall Blocks are great for:

- Retaining Walls
- Raised Septic Systems
- Raised Roadways
- Wetland Crossings
- Highway Ramps
- Instant Building Foundations
- Material Bins
- And more...

Half size, Flat-top and Curved Blocks available

Small or Large jobs - We will meet your schedule!

Conigliaro Block can turn-key your project, including complete engineering, design and installation services

Available in Plas-Crete, as well as, 2000, 3000, 4000 or 5000 psi concrete

For more information, or for a free price quotation, please call our sales department:



701 Waverly Street, Framingham, MA 01702

(888) CONIG - 25, fax (508) 653-6672

www.conigliaroblock.com , sales@conigliaroblock.com